

ZIPSCREEN™



ZipScreen™ is the ultimate blind solution for any outdoor area or window

There's never been an easier way to extend your home.

Designed and tested in Australia, ZipScreen™ promises to unlock your home's hidden potential, without the time-consuming stress and cost of traditional renovations. Enhance your space and create an outdoor haven for true relaxation and comfortable entertainment, hassle-free. From the summer heat to the winter chill, ZipScreen™ perfectly shields any alfresco, pergola, veranda or balcony, so you can indulge in open-air living, all year round.

Custom-designed to fit any residential or commercial installation.

Whether you're reinventing your living space, or renovating your business' area, ZipScreen™ makes it easy. With 30 years of history, ZipScreen™ defines the ultimate in outdoor living, and delivers a sleek, secure and durable outdoor shade solution. Tailored to fit your space, simply find your local retailer and experience the ZipScreen™ difference, today.

Be Confident with your purchase.

Product Of Australia

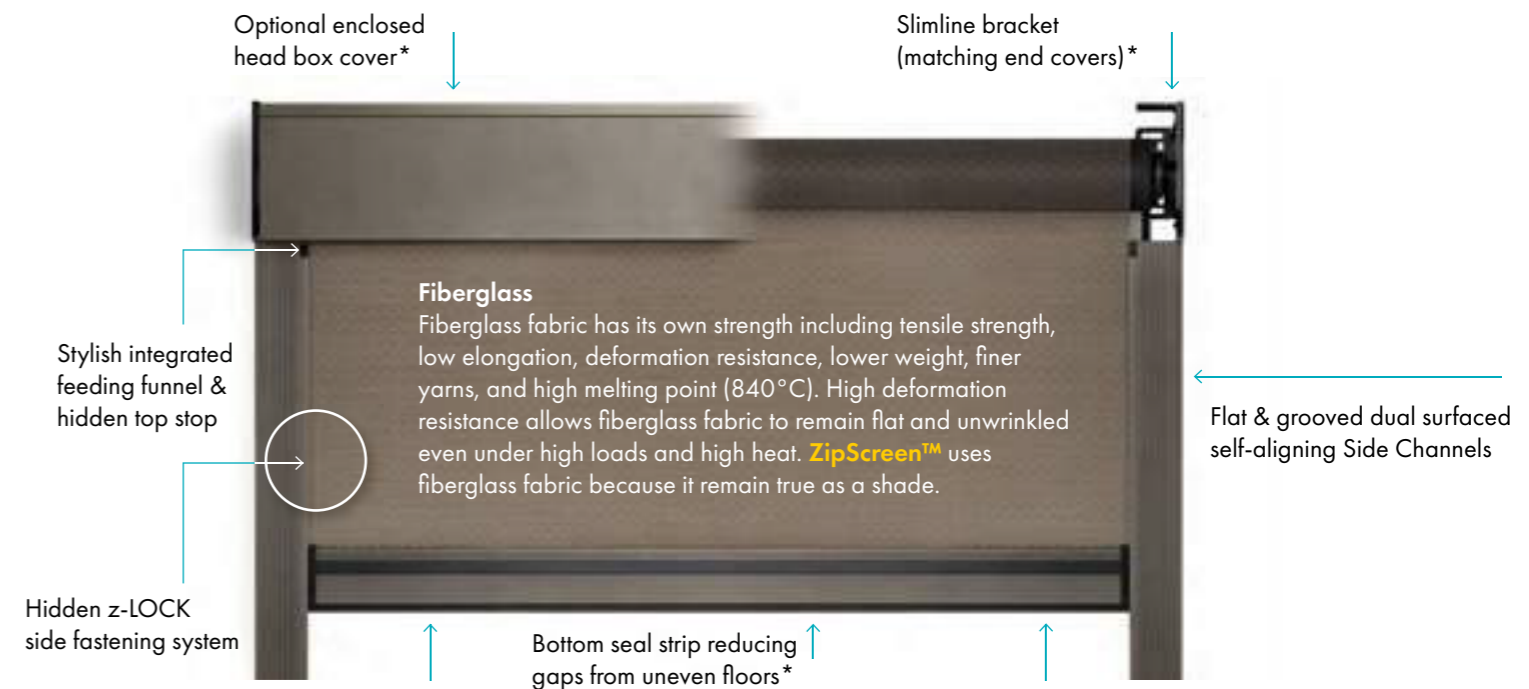


GOLD COAST, AUSTRALIA
12 - 14 JUNE 2019



zipscreen.sg

>>> FEATURE



Rain Sensor

Rain sensing capability detects the first drop of rain and hype up the system to activate your ZipScreen™ in 30 seconds, whether day or night, ever-ready 24/7, your outdoor sentinel to keeping your area protected, dry and cozy.

Impact Detection

Smart sensor in the motor detect irregularity during descend. Automatically retracts your ZipScreen™ when it detects an object blocking it, safety for your children and pets as well as protecting your ZipScreen™ from wear & tear.



IMPACT DETECTION



WIND RESISTANCE



SUN/UV PROTECTION



RAIN SENSOR



COASTAL APPROVED



PRIVACY



ANTI-GLARE



INSECT RESISTANCE

PRECISION IN MOTION

leading innovators of window furnishing



HIDDEN z-LOCK™ TECHNOLOGY

Breakthrough z-LOCK™ technology provides a unique fabricguide, fastening and securing the welded zip and fabricconcealed within the side channels; creating a strong, smoothand streamlined system.

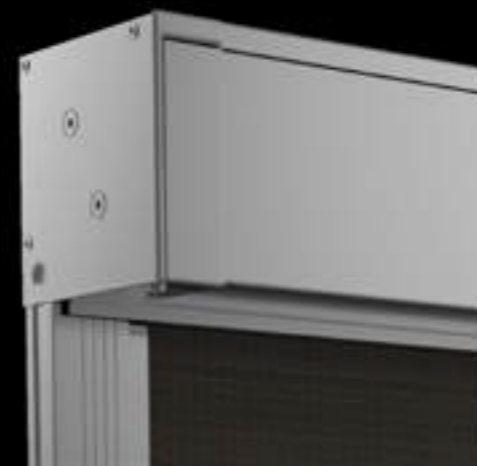
The hidden z-LOCK™ function ensures no gap between the fabric screen and side channels and a secure guided movement that won't blow out in the wind.

A total seal provided by Zipscreen's z-LOCK technology and bottom sealing strip aids in creating a relaxing insect free environment.



INNOVATIVE ALUMINIUM HEADBOX

High-quality square aluminium profile boasts a contemporary aesthetic, offering fully or semi-enclosed headbox and full or semi-fascia configurations.



KNOW YOUR FABRIC

- 99% UV protection
- Reduces sun glare and heat
- Reduces wind, haze, rain & dust
- Excellent privacy protection
- Stays ventilated while keeping the view
- Easy to maintain
- Fabrics openness in 1%

Why FIBERGLASS?

- High resistance to corrosion
- High melting point 840°C
- Low thermal expansion (Anti-fray)
- Pound for Pound stronger than sheet metal
- Excellent insulators
- Radio frequency transparent
- Low to zero maintenance

FRAME COLOUR

ZipScreen™ aluminium frames, pelmet and bottom bar are available in 3 colours or *customise frame colour* available by giving us RAL code



Strong and durable, ZipScreen™ offers protection from the sun, UV rays, and inclement weather. In addition, its secure, custom-made fit can provide an insect-free environment to rest and relax in. Suitable for a wide range of conditions, it is the perfect solution for any outdoor residential or commercial application.

With various external fabric choices available, including popular screen mesh fabrics controlling the amount of visibility, ZipScreen™ will ensure you receive your desired level of privacy.

Its simple yet stylish design improves the presentation of any home or office, defining outdoor areas and extending your entertaining space from your kitchen or lounge. It also provides a sleek external finish to any window.

30 YEARS OF HISTORY,

innovation and design, tailored to perfectly fit you...



ZIPSCREEN

ZipScreen™ is the ultimate external screening solution for any outdoor area or window. ZipScreen utilises patented z-LOCK technology to zip-guide the fabric and create a fully sealed, ultra-smooth fabric finish, to protect against sun, wind, rain, and insects all year round. Enclose any alfresco entertaining areas or keep home and office windows covered. Sleek, secure and durable, your custom designed system can be made in widths of up to 4 meters and drops of up to 3.5 meters.



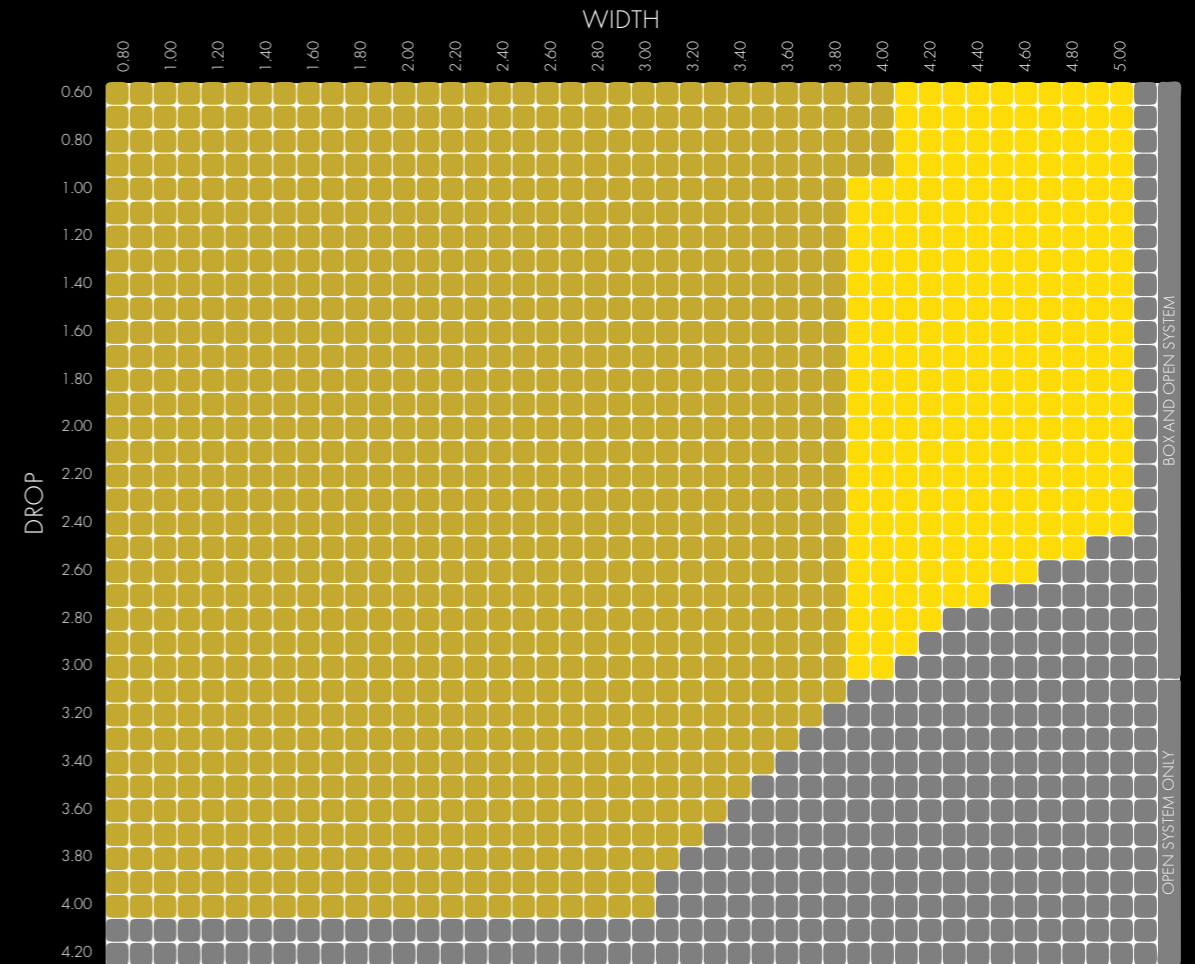
Employ over 200 staff worldwide, spanning the USA, Australia and Europe, to serve several thousands of customers in over 40 countries.

At Rollese Acmeda, we believe that our customers will continue to enjoy the security of market leading products and a product development pipeline that ensures they will always be at the forefront of the window coverings industry.



ZipScreen™

wind specifications (1% openness)



The Chart are based on theoretical calculations using the following:
 Stainless steel 4mm rivets or #8 Tek screws to secure side rails at 500mm spacing for side and face fix applications.
 Maximum allowable wind speeds (km/h) using solid fabric or 5% fabric openness.
 Fabrics with larger openness do not worsen results.

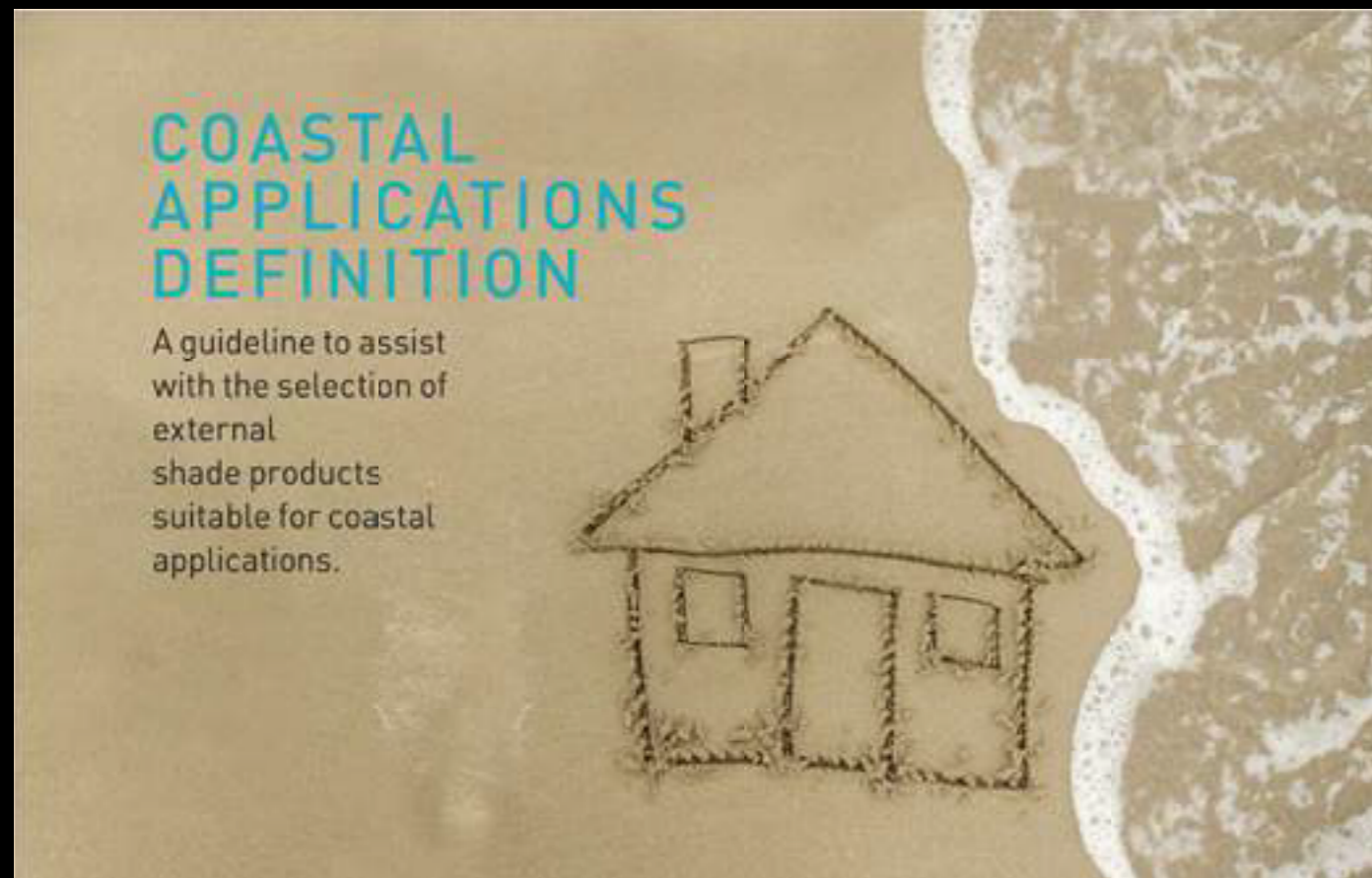


BEAUFORT WIND SCALE
 The Beaufort Wind Force Scale estimates wind strength based on the effects wind has on the physical environment.



ZipScreen™

is coastal approved system*

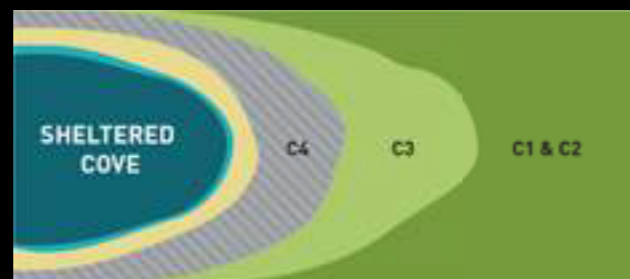


CORROSIVITY CATEGORIES

The below outlines corrosive zone classes - C1, C2, C3, C4, C5, as specified in the Australian Standard AS 4312-2008.

Our coastal approved systems are in accordance with all areas up to and including C3, and are back with a 5 year warranty

CLASS	DISTANCE FROM SHORE	COASTAL APPROVED SYSTEM WARRANTY
C5	0 - 100m [OPEN OCEAN]	12 months
C4	0 - 100m [SHELTERED COVE]	12 months
C3	100m - 1km [OPEN OCEAN]	5 years
C2	100m - 1km [SHELTERED COVE]	5 years
C1	1km - 50km [OPEN OCEAN]	5 years
C1	50km and beyond - Non heated or air conditioned building	5 years
C1	Continuously heated or air conditioned building	5 years



The ZipScreen™ Difference

It's all about what you don't see

Australian designed, made and celebrated, ZipScreen™ has thrived to deliver cutting-edge technology and go beyond the average outdoor shade solution. Developed in 1988, our patented zip-guided system, z-LOCK™, is the only one of its kind and has prevailed over the last 3 decades to be one of our most distinguishable differences, and a true benchmark for our innovative design. Since then, our modern technology, has been continuously refined over the last 30 years to deliver only the highest quality products and solutions. Thanks to our dedicated Innovation and Design Center, we're constantly finding new ways to design, lock, control and install our shades, to ensure our end result is easy-to-use, contemporary and perfectly suited to your needs.

Committed to delivering state-of-the-art solutions for homes and businesses, ZipScreen™ has helped re-imagine thousands of commercial and residential properties around the world. See why we're trusted by thousands and visit your local retailer to experience the ZipScreen™ difference, today.



SUPER
EXP GOLD COAST
2019

ROLLEASE ACMEDA - ZipScreen™
AUSTRALIA NO.1 SELLING OUTDOOR SHADE



**ROLLEASE
ACMEDA**

**ROLLEASE
ACMEDA**

**FO
CUS
ED**
ON TECH

**A
R**
**FO
CUS
ED**
ON TECH

INTERNAL

INTERNAL

ATION

Do It Better



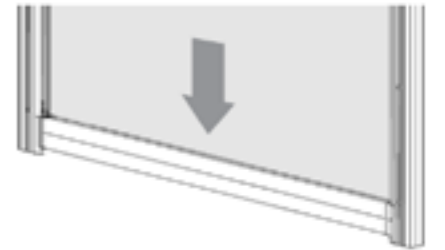


ZIPSCREEN USER GUIDE

ver 1.0 2.11.2018

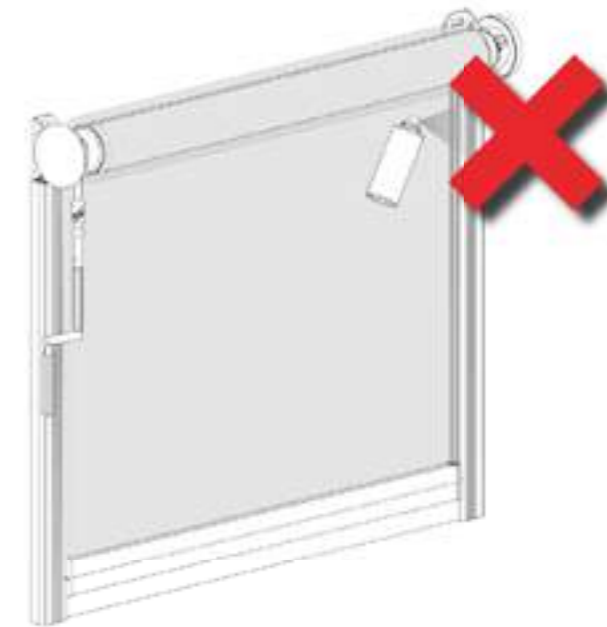
PRE-OPERATION

During the transportation process, the fabric used for your ZipScreen™ tends to be tightly wrapped in order to keep it protected. This can cause an unwanted rippling or wrinkling effect after it is installed. To ensure rippling is ironed out, it is best to leave your ZipScreen™ shades down of one to two days until the fabric is fully settled. Your outdoor shade has our signature, ultra-smooth fabric finish.



MAINTENANCE

NEVER spray or modify your ZipScreen™. ZipScreen™ does not require any lubricants, sprays or oils to smoothly operate. If you believe your system is not functioning as it should, please contact your retailer.



CLEANING

Use a mild detergent and a soft brush or cloth to clean your ZipScreen™ system's hardware when required. Never use a pressure hose or harmful chemicals on your system. Always attend to dirt, animal droppings and stains as soon as possible to prevent potential deterioration of your system. To maintain fabric cleanliness, please contact your retailer and find more information about the fabric employed by your system.

WARRANTY

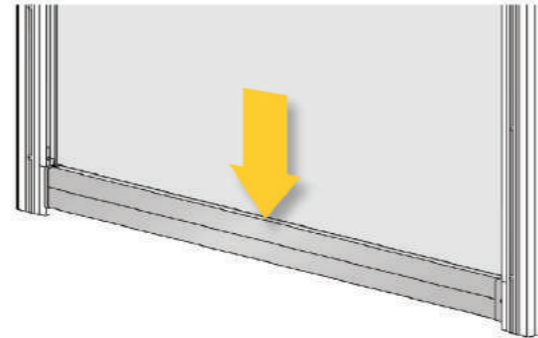
To discuss warranty information, please contact your retailer. ZipScreen™ does offer a 5-year warranty to suppliers on the system's hardware. If you have any reason for concern, questions, replacements, claims and servicing, please directly contact your reseller. For further guidance and support, email info@zipscreen.com.au

AUTOMATE MOTORISED SYSTEM

When a motorised blind is operated some 'jolting' may be evident. This effect is due to wind gusts causing spontaneous friction between the zip and side guides. This occurrence does not damage the blind.

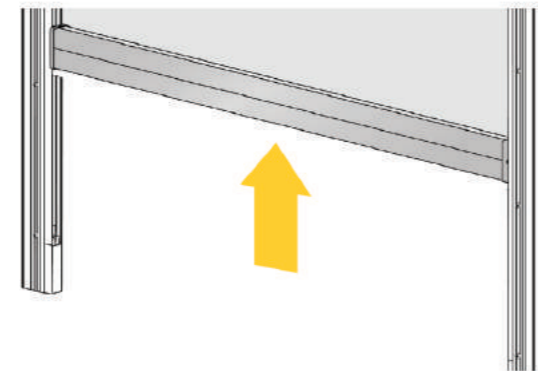
LOWER YOUR SHADES

On your remote, find and press the 'down' button, once. This will initiate the movement of the shade, and it will begin to lower. The system will stop in its pre-programmed position, at the bottom of the side guide.



RAISE YOUR SHADES

On your remote, find and press the 'up' button, once. This will initiate the movement of the shade, and it will begin to raise. The system will stop in its pre-programmed position, at the top of the side guide.



DESIRED HEIGHT

After pressing either the up or down button, wait for ZipScreen™ to move to the desired position, then once content with the shade's height, press the 'stop' button to halt movement. The shade will remain secured in the established position.



AUTOMATE RAIN SENSOR

Your rain sensor is automate to lower your shade within 30 seconds in rain condition.



IMPACT DETECTION

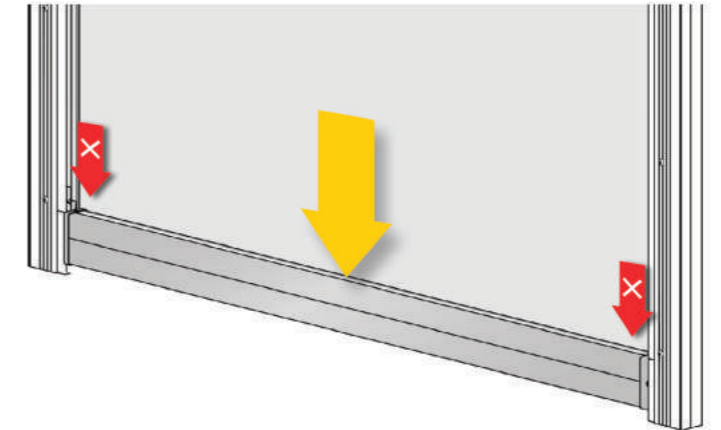
The sensor automatically retracts your system upon obstruction in its descend to prevent damage to fabric and system and for safety.

SPRING BOOSTED SYSTEM

All ZipScreen™ systems are built to operate smoothly and effortlessly. If it is proving to be difficult to lower or raise your shade, through no fault of your own, please contact your ZipScreen™ retailer.

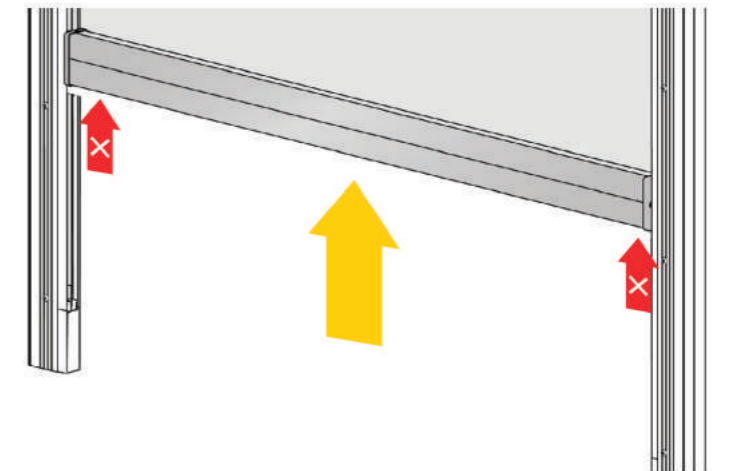
LOWER YOUR SHADES

Grip the center of the weight bar and guide the shade downwards, gently. Operation from the center is crucial to evenly distribute force and ensure a smooth gliding shade. Always handle your ZipScreen™ from the center of the weight bar, and with two hands.



RAISE YOUR SHADES

Grip the center of the weight bar and guide the shade upwards, gently. Operation from the center is crucial to evenly distribute force and ensure a smooth gliding shade. Always handle your ZipScreen™ from the center of the weight bar, and with two hands. If your shade rolls up unevenly, bring the shade down and then begin to raise it again, ensuring both sides of the shade are moving smoothly and evenly.



DESIRED HEIGHT

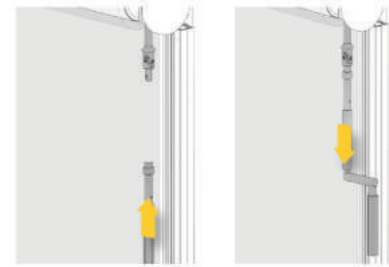
ZipScreen™ outdoor blinds can be left at any desired height. Simply lower or raise the shade to the desired level and the shade will rest in the position set. To ensure longevity, never forcefully operate your outdoor shade system. If you experience irregular jarring, refer to the 'correct procedure' section of this user guide or see your retailer.

CRANK GEAR SYSTEM

All ZipScreen™ systems are built to operate smoothly and effortlessly. If it is proving to be difficult to lower or raise your shade, through no fault of your own, please contact your ZipScreen™ retailer.

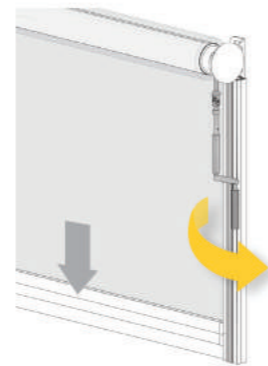
ATTACH AND DETACH CRANK GEAR HANDLE

Hold the crank gear arm steadily and guide the tip of the arm to the end of the coupling joint at the top of the ZipScreen™. Firmly push the arm into the coupling joint until it securely clicks into place. To detach the arm, simply pull the arm downwards, away from the coupling joint. Store the arm in a safe place until it needs to be used again.



LOWER YOUR SHADES

Ensure the Crank is connected to the joining arm at the top of the ZipScreen™ and is folded in an 'L' formation. Hold the top grip of the crank arm in one hand and the bottom grip in the other, then rotate the arm counter-clockwise to lower the shade.

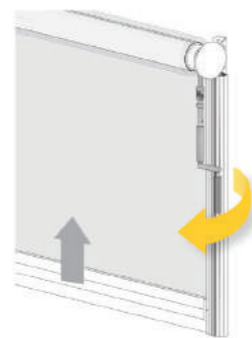


CRANK ARM SUPPORT

If a crank arm support is in use, unfold the arm and ensure the entire arm is straight. Firmly push the crank arm into the support clip to secure it in place. When the crank arm needs to be used, simply pull the arm away from the support to dislodge it from the grip of the support.

RAISE YOUR SHADES

Ensure the Crank is connected to the joining arm at the top of the ZipScreen™ and is folded in an 'L' formation. Hold the top grip of the crank arm in one hand and the bottom grip in the other, then rotate the arm clockwise to raise the shade.



DESIRED HEIGHT

Simply lower or raise the shade to the desired level and the shade will rest in the position set. To ensure longevity, never forcefully operate the system.

WARRANTY

Products are warrant against original defects in material/workmanship during the specified warranty period.

ZIPSCREEN

5 years Warranty (SPRING BOOSTED SYSTEM & CRANK GEAR SYSTEM)

4th & 5th year labour fee plus miscellaneous parts charges.

1 Year Warranty

On electronic battery operated product.

DOOYA

TUBULAR MOTOR

5 years Warranty (One to One On-Site Exchange Policy)

4th & 5th year labour fee plus miscellaneous parts charges.

somfy®

5 years Warranty

1st - 3rd year no labour fee, diagnosis will be perform by Somfy and will arrange re-installation (approximately 2-3 weeks lead time).

4th - 5th year labour fee charge for round trips (dismantling & diagnosis) and for re-installation (approximately 2-3 weeks lead time).

Warranty does not cover:

Installation and usage are not in accordance with our installation and operating instructions.









Product has been opened, dismantled or returned with clear evidence of abuse or other damage.

Product has been used to perform functions other than the functions it was designed to handle

Normal wear and tear, including but not limited to fading over the lifetime of the product, deterioration or yellowing when exposed to sunlight, high humidity or extreme outdoor elements for prolonged periods, and cord failure as a result of wearing out over time.

1 year warranty on electronic battery operated product.

SAFETY & CORRECT PROCEDURE

-  **Do not** leave the ZipScreen™ blind down when you are away from your home or in extreme weather conditions.
-  **Do not** roll the ZipScreen™ blind up when wet (to avoid mould and mildew build up). In the event that extreme winds are present, roll up your ZipScreen™ and wait for the weather to settle, before attempting to dry your blind again.
-  **Do not** force the ZipScreen™ blind up or down if it is jamming. Forcing the ZipScreen™ blind may result in further damage (for example, the zip may be forced out of the side guide, or the fabric may rip). Contact your ZipScreen™ supplier for guidelines of how to fix.
-  **Do not** operate spring controlled ZipScreen™ blinds from the sides - always use the Weight Bar or Handle and pull from the center.
-  **Do not** operate the system remotely or on timers. It is best to be present while the system is in operation, preventing damage from unseen obstructions or extreme winds (unless equipped with 'Impact Detection' sensor).
-  **Do not** lean persons or objects against the fabric, especially while the system is in motion. Always ensure there are no obstructions while lowering the blind.
-  **Do not** use any silicone spray, degreasers or lubricants on your ZipScreen™ outdoor shade.
-  **Do not** use a pressure hose to clear your ZipScreen™.

Congratulations on purchasing a genuine

ZIPSCREEN

Trusted by thousands, our signature no-gap finish, ensures the perfect seal and complete protection. Your new ZipScreen™ shields against wind, rain, sun and insects, without sacrificing your view, or privacy. Thanks to its high-grade premium parts, your ZipScreen™ is coastal approved, ultra-durable, and built to last.



IMPACT
DETECTION



WIND
RESISTANCE



SUN/UV
PROTECTION



FIBERGLASS



RAIN SENSOR



COASTAL
APPROVED



PRIVACY



ANTI-GLARE



INSECT
RESISTANCE

WARNING: PLEASE REVIEW THIS DOCUMENT PRIOR TO OPERATING YOUR ZIPSCREEN

